

4

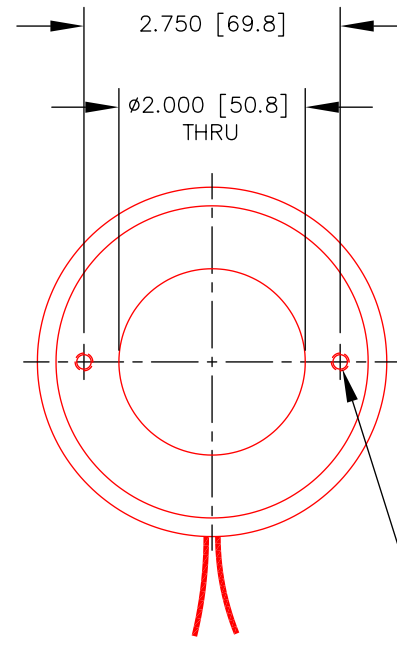
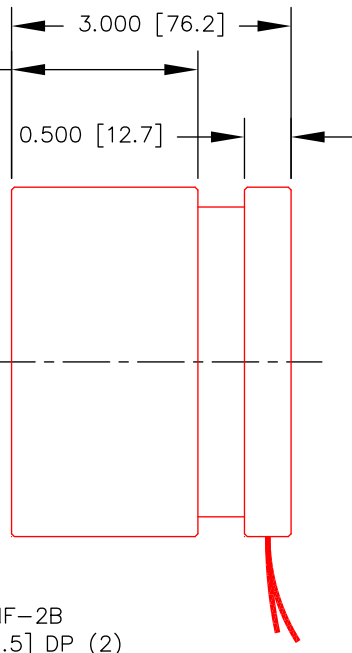
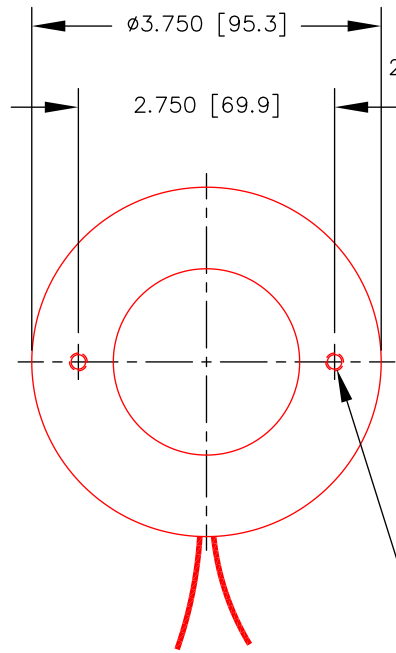
3

2

1

SHOWN AT MID-STROKE

REVISIONS					
ZONE	LETTER	DESCRIPTION	DATE	CHECKED	APPROVED



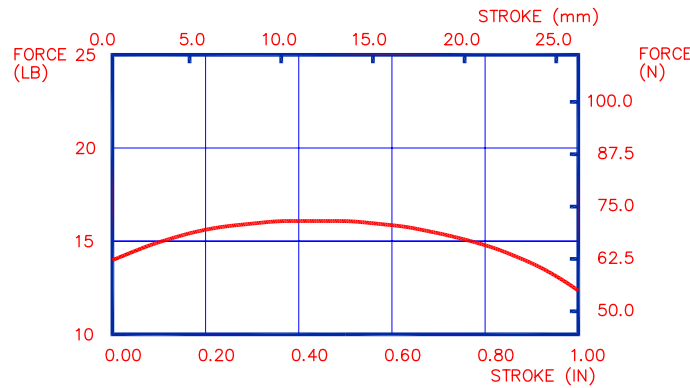
10-32 UNF-2B  
X 0.38 [9.5] DP (2)

10-32 UNF-2B  
X 0.38 [9.5] DP (2)

INTERMITTENT FORCE @10% DUTY CYCLE	225.8 N	50.8 LB
CONTINUOUS FORCE	71.4 N	16.1 LB
FORCE CONSTANT	30.8 N/A	6.9 LB/A
BACK EMF CONSTANT	30.8 V/M/S	0.78 V/IN/S
STROKE	25.4 mm	1.00 IN
COIL CLEARANCE PER SIDE	0.64 mm	0.025 IN
COIL ASSY MASS	353 GR	0.78 LB
BODY MASS	1.64 KG	3.61 LB
COIL RESISTANCE	9.3 Ohms	
COIL INDUCTANCE @ 1000 Hz	6.1 mH	
MAX CONTINUOUS POWER	50 W	

ALL VALUES AT 25°C

NOTES :  
UNLESS OTHERWISE SPECIFIED



CONTINUOUS FORCE

THIS DOCUMENT, WHETHER OR NOT MARKED AS PROPRIETARY, IS CONSIDERED CONFIDENTIAL AND SHALL REMAIN THE PROPERTY OF MOTICONT AND SHALL BE RETURNED TO MOTICONT UPON REQUEST WITH ALL COPIES MADE THEREOF. THIS DOCUMENT CANNOT BE UTILIZED IN THE MANUFACTURE OF ARTICLES SOLD OR OFFERED OR DISCLOSED TO ANYONE AND NO USE OF IT CAN BE MADE UNLESS EXPRESSLY AUTHORIZED BY AND UNDER THE DIRECTION OF MOTICONT. POSSESSION OF THIS DOCUMENT IS ACCEPTED SUBJECT TO THE FOREGOING.

DIMENSIONS ARE IN INCHES (mm) TOLERANCES ON: DECIMALS FRACTIONS ANGLES .XXX .XX ± 1/125 ± 1/2' ± .005 ± .01 UNLESS OTHERWISE SPECIFIED		MATERIAL	CONTRACT					
FINISH		DRN						
USED ON		CHKD			<b>LINEAR VOICE COIL MOTOR</b>			
NEXT ASSY		APPVD						
APPLICATION		APPVD			SIZE	CODE	DWG. NO.	REV.
					A		HVCM-095-051-051-01	1
		SCALE: 1 / 2		SHEET 1 OF 1				

4

3

2

1