

4

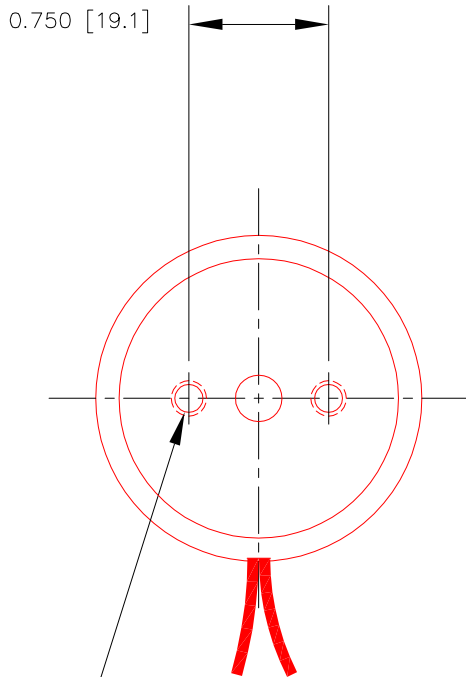
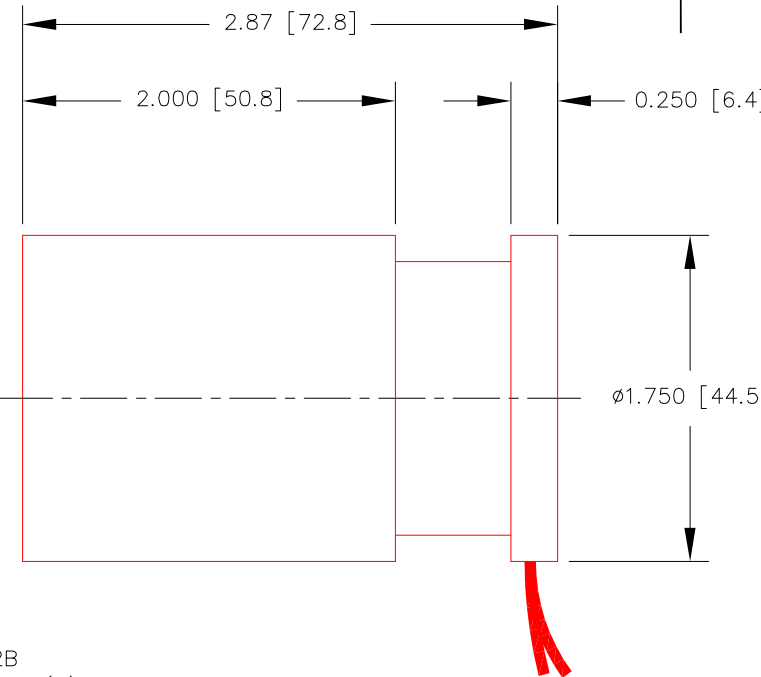
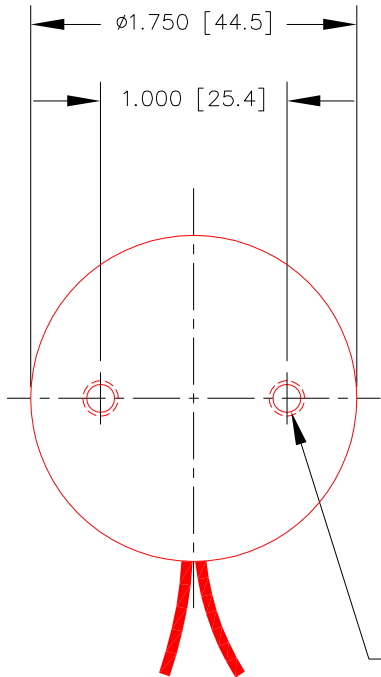
3

2

1

SHOWN AT MID-STROKE

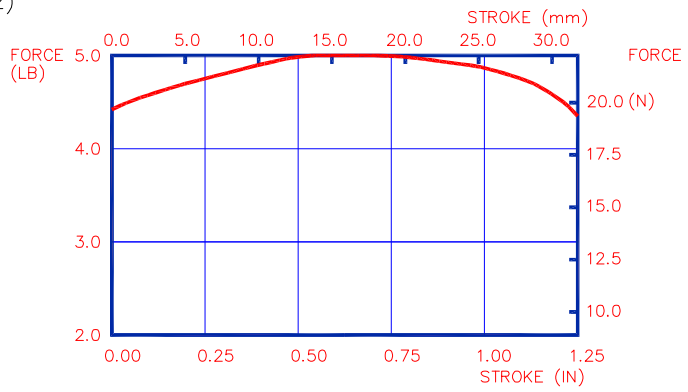
REVISIONS					
ZONE	LETTER	DESCRIPTION	DATE	CHECKED	APPROVED



10-32 UNF-2B X 0.25 [6.4] DP (2)

10-32 UNF-2B X 0.25 [6.4] DP (2)

INTERMITTENT FORCE @10% DUTY CYCLE	70.4 N	15.8 LB
CONTINUOUS FORCE	22.3 N	5.0 LB
FORCE CONSTANT	6.9 N/A	1.6 LB/A
BACK EMF CONSTANT	6.9 v/m/s	0.18 v/in/s
STROKE	31.8 mm	1.25 IN
COIL CLEARANCE PER SIDE	0.38 mm	0.015 IN
COIL ASSY MASS	90 GR	3.2 OZ
BODY MASS	497 GR	17.5 OZ
COIL RESISTANCE	2.7 Ohms	
COIL INDUCTANCE @1000 Hz	1.4 mH	
MAX CONTINUOUS POWER	28.0 W	



THIS DOCUMENT, WHETHER OR NOT MARKED AS PROPRIETARY, IS CONSIDERED CONFIDENTIAL AND SHALL REMAIN THE PROPERTY OF MOTICONT AND SHALL BE RETURNED TO MOTICONT UPON REQUEST WITH ALL COPIES MADE THEREOF. THIS DOCUMENT CANNOT BE UTILIZED IN THE MANUFACTURE OF ARTICLES SOLD OR OFFERED OR DISCLOSED TO ANYONE AND NO USE OF IT CAN BE MADE UNLESS EXPRESSLY AUTHORIZED BY AND UNDER THE DIRECTION OF MOTICONT. POSSESSION OF THIS DOCUMENT IS ACCEPTED SUBJECT TO THE FOREGOING.

ALL VALUES AT 25°C

UNLESS OTHERWISE SPECIFIED

DIMENSIONS ARE IN INCHES (mm) TOLERANCES ON: DECIMALS FRACTIONS ANGLES .XXX .XX ± 1/125 ± 1/2' ± .005 ± .01 UNLESS OTHERWISE SPECIFIED	MATERIAL	CONTRACT		motiCont LINEAR VOICE COIL MOTOR				
	FINISH	DRN						
USED ON	NEXT ASSY	CHKD			SIZE	CODE	DWG. NO.	REV.
APPLICATION		APPVD			A		LVCM-044-051-02	2
		APPVD			SCALE: 1 / 1		SHEET 1 OF 1	

4

3

2

1